

**FLUSH MOUNTED CONSUMER ENCLOSURE**

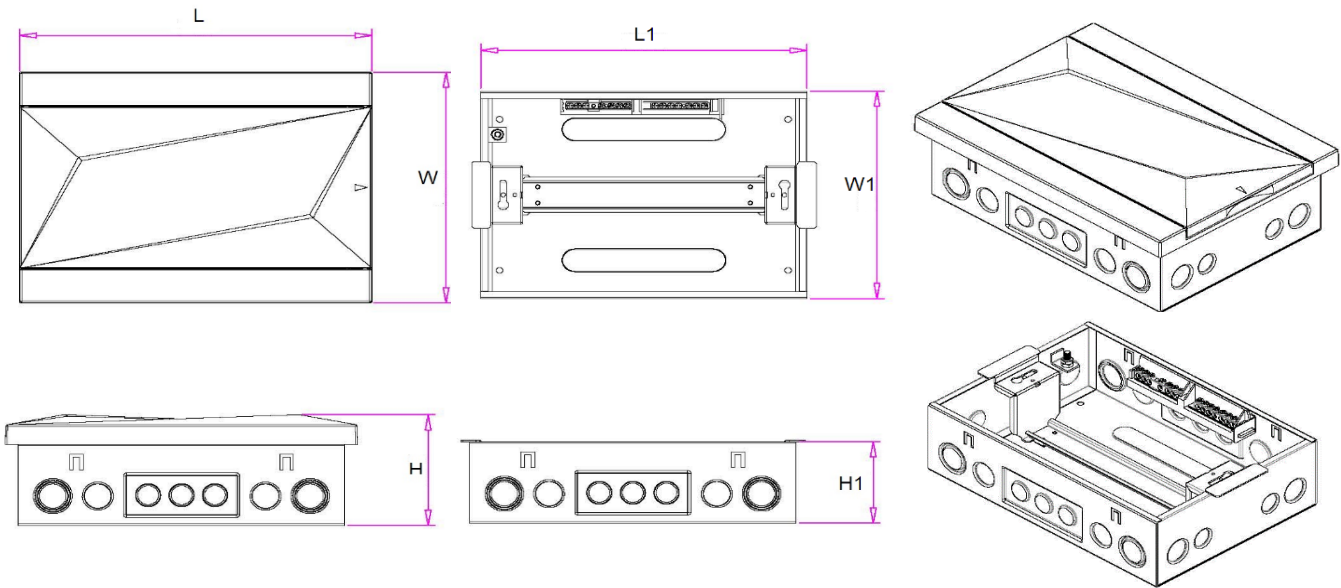
**Features:**

- Made of high quality self-extinguishing polycarbonate frame
- PC transparent gray cover, opens sideways
- Powder coated metal base, 1 mm thickness
- Resistant to abnormal heat up to 650°C/30S
- 230/400V, 50/60Hz, IP30
- Complies with IEC60670-1 and IEC60670-24
- Comes with 63A or 100A busbar



**Application:**

Clean and sleek design for residential and commercial establishments  
Suited for the installation of all types of individual modular devices



Cat. No.	Dimensions (mm)						No. of Units	Rated Current
	L	W	H	L1	W1	H1		
MGCE-08	243	210	107	220	186	80	8	63A
MGCE-12	315	230	109	292	206	80	12	100A
MGCE-16	387	230	109	364	206	80	16	100A
MGCE-20	459	230	109	436	206	80	20	100A
MGCE-24	315	360	109	292	336	80	24	125A
MGCE-32	387	360	109	364	336	80	32	125A