

RING-TYPE (INSULATED)- Tinned Copper

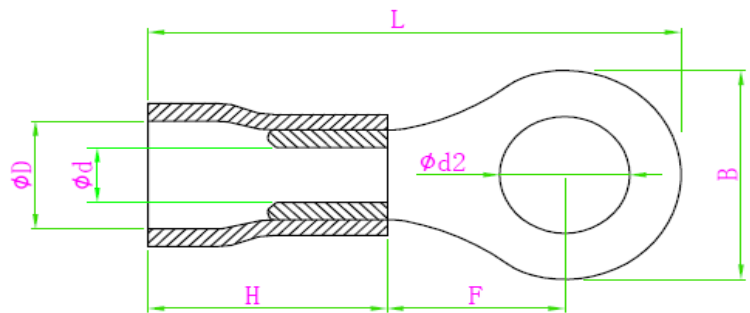
Features:

- Manufactured from T3 copper material and Polyvinyl Chloride sleeve with VO Fire frame rating
- 3 µm Matte-tin for better Corrosion resistance
- Above 200°C, the matte-tin plating will start to melt
- At 200°C, the tin will hold for about 30 seconds
- For the PVC insulation, it will start to shrink at 60°C and will start to soften and detach from copper at 100°C)

Applications:

- Termination of copper conductors (22AWG-4AWG)

Standard Packing Quantity: 100 pcs except #8, #6, #4AWG



Catalog No.	Conductor Size	Stud Size	Color Code	Dimensions (mm)						
				ød±0.2	B±0.2	L±0.3	F±0.2	H±0.3	øD±0.2	ød±0.2
MGRV1.25-3	#22-18AWG	3mm	Red	3.20	5.7	18.1	5.0	10.5	4.3	1.7
MGRVS1.25-4	#22-18AWG	4mm	Red	4.30	6.6	19.9	6.3	10.5	4.3	1.7
MGRV1.25-5	#22-18AWG	5mm	Red	5.3	8.0	21.3	7.0	10.5	4.3	1.7
MGRV1.25-6	#22-18AWG	6mm	Red	6.4	11.6	27.3	11.1	10.5	4.3	1.7
MGRVS2-4	#16-14AWG	4mm	Blue	4.3	6.6	19.9	6.2	10.5	4.8	2.3
MGRVS2-5	#16-14AWG	5mm	Blue	5.3	8.5	22.3	7.7	10.5	4.8	2.3
MGRV2-6	#16-14AWG	6mm	Blue	6.4	12.0	27.3	11.0	10.5	4.8	2.3
MGRV2-8	#16-14AWG	8mm	Blue	8.4	12.0	27.3	11.0	10.5	4.8	2.3
MGRV2-10	#16-14AWG	10mm	Blue	10.5	13.6	31.0	14.0	10.5	4.8	2.3
MGRVS3.5-5	#14-12AWG	5mm	Black	5.3	8.0	25.2	7.7	13.5	6.0	3
MGRV3.5-6	#14-12AWG	6mm	Black	6.4	12.0	28.6	9.4	13.5	6.0	3
MGRV5.5-5	#12-10AWG	5mm	Yellow	5.3	9.5	26.7	8.3	13.5	6.3	3.4
MGRV5.5-6	#12-10AWG	6mm	Yellow	6.4	12.0	29.9	10.6	13.5	6.3	3.4
MGRV5.5-8	#12-10AWG	8mm	Yellow	8.4	15.0	34.4	13.7	13.5	6.3	3.4
MGRV5.5-10	#12-10AWG	10mm	Yellow	10.5	15.0	34.4	13.7	13.5	6.3	3.4
MGRVS8-5	#8AWG	#10	Red	5.3	8.8	32.7	11.0	17.5	8.3	4.5
MGRVS8-6	#8AWG	¼"	Red	6.4	12.0	32.5	9.2	17.5	8.3	4.5
MGRVS14-5	#6AWG	#10	Blue	5.3	12.0	42.0	13.0	23.0	10.5	6
MGRVS14-6	#6AWG	¼"	Blue	6.4	12.0	41.8	13.0	23.0	10.5	6
MGRVS22-6	#4AWG	¼"	Yellow	6.4	12.2	44.9	14.5	24.5	13.0	8