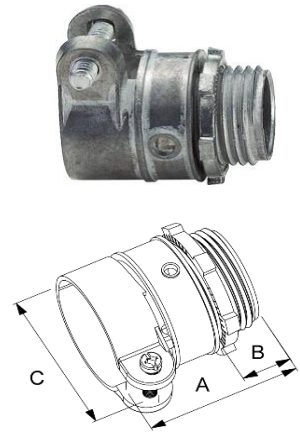


BX Straight Connector

Material: Die-cast Zinc

Application: To terminate flexible metal conduit to box or an enclosure in a dry location.

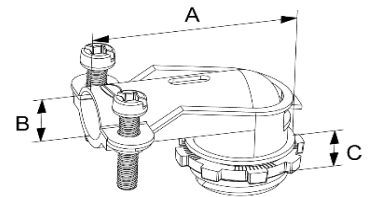
Cat. No.	Trade Size	Dimensions (in)		
		A	B	C
BXS038	3/8"	1.146	0.512	1.141
BXS050	1/2"	1.437	0.492	1.370
BXS075	3/4"	1.575	0.476	1.574
BXS100	1"	1.760	0.571	1.866
BXS125	1-1/4"	1.874	0.587	2.145
BXS150	1-1/2"	2.008	0.610	2.519
BXS200	2"	2.087	0.606	3.011



BX Angle Connector

Material: Die-cast Zinc

Application: To terminate flexible metal conduit to box or an enclosure in a dry location.



Cat. No.	Trade Size	Dimensions (in)			
		A	B (min)	B (max)	C
BXA050	1/2"	2.122	0.640	1.030	0.350
BXA075	3/4"	2.346	0.760	1.150	0.440
BXA100	1"	2.768	1.090	1.730	0.543
BXA125	1-1/4"	3.890	1.340	1.970	0.594
BXA150	1-1/2"	6.008	1.650	2.610	0.689
BXA200	2"	6.008	1.540	2.540	0.701