



Conduit Body - Type LB

Features:

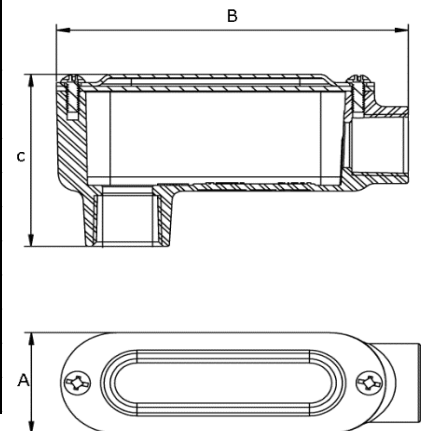
- Copper-free die-cast aluminum
- Threaded, supplied with steel cover and gasket
- UL File No. E476800

Application:

- To join EMT, RSC, or IMC and provide access to the interior of the raceway for wire pulling, inspection, maintenance, or splicing.



Cat. No.	Trade Size	Dimensions (in)			Standard Pkg
		A	B	C	
LB-50SC	1/2"	1.339	4.311	2.323	50
LB-75SC	3/4"	1.563	5.083	2.559	50
LB-100SC	1"	1.819	5.919	3.012	25
LB-125SC	1-1/4"	2.508	7.819	3.760	10
LB-150SC	1-1/2"	2.508	7.819	3.760	10
LB-200SC	2"	3.189	10.051	4.744	10
LB-250SC	2-1/2"	4.488	12.835	5.630	1
LB-300SC	3"	4.488	12.835	6.220	1
LB-350SC	3-1/2"	5.551	15.650	7.402	1
LB-400SC	4"	5.551	15.650	7.402	1



Conduit Body - Type LR

Features:

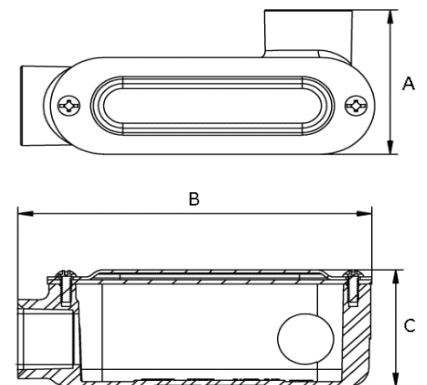
- Copper-free die-cast aluminum
- Threaded, supplied with steel cover and gasket
- UL File No. E476800

Application:

- To join EMT, RSC, or IMC and provide access to the interior of the raceway for wire pulling, inspection, maintenance, or splicing.



Cat. No.	Trade Size	Dimensions (in)			Standard Pkg
		A	B	C	
LR-50SC	1/2"	2.028	4.311	1.594	50
LR-75SC	3/4"	2.303	5.083	1.862	50
LR-100SC	1"	2.681	5.919	2.126	25
LR-125SC	1-1/4"	3.520	7.819	2.736	10
LR-150SC	1-1/2"	3.520	7.819	2.736	10
LR-200SC	2"	4.272	10.051	3.642	10
LR-250SC	2-1/2"	5.874	12.657	4.114	6
LR-300SC	3"	5.894	12.657	4.638	6
LR-350SC	3-1/2"	7.689	15.661	5.780	2
LR-400SC	4"	7.689	15.661	5.780	2





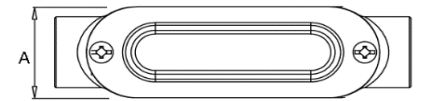
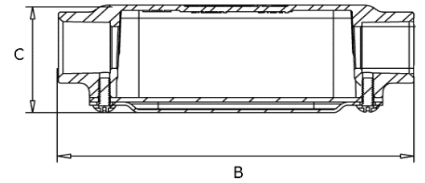
Conduit Body - Type C

Features:

- Copper-free die-cast aluminum
- Threaded, supplied with steel cover and gasket
- UL File No. E476800

Application:

- To join EMT, RSC, or IMC and provide access to the interior of the raceway for wire pulling, inspection, maintenance, or splicing.



Cat. No.	Trade Size	Dimensions (in)			Standard Pkg
		A	B	C	
C-50SC	1/2"	1.339	4.724	1.594	50
C-75SC	3/4"	1.563	5.512	1.862	50
C-100SC	1"	1.819	6.457	2.126	25
C-125SC	1-1/4"	2.508	8.346	2.736	10
C-150SC	1-1/2"	2.508	8.346	2.736	10
C-200SC	2"	3.159	10.236	3.654	10

Conduit Body - Type LL

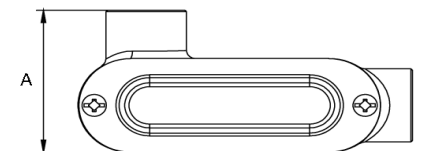
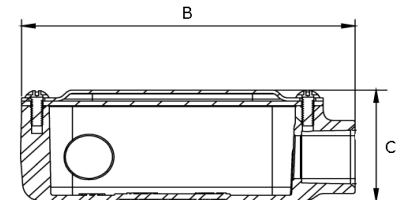


Features:

- Copper-free die-cast aluminum
- Threaded, supplied with steel cover and gasket
- UL File No. E476800

Application:

- To join EMT, RSC, or IMC and provide access to the interior of the raceway for wire pulling, inspection, maintenance, or splicing.



Cat. No.	Trade Size	Dimensions (in)			Standard Pkg
		A	B	C	
LL-50SC	1/2"	2.028	4.311	1.594	50
LL-75SC	3/4"	2.303	5.083	1.862	50
LL-100SC	1"	2.681	5.921	2.126	25
LL-125SC	1-1/4"	3.520	7.819	2.736	10
LL-150SC	1-1/2"	3.520	7.819	2.736	10
LL-200SC	2"	4.272	10.051	3.642	10



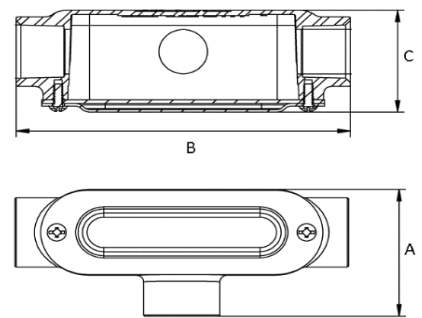
Conduit Body - Type T

Features:

- Copper-free die-cast aluminum
- Threaded, supplied with steel cover and gasket
- UL File No. E476800

Application:

- To join EMT, RSC, or IMC and provide access to the interior of the raceway for wire pulling, inspection, maintenance, or splicing.



Cat. No.	Trade Size	Dimensions (in)			Standard Pkg
		A	B	C	
T-50SC	1/2"	2.028	4.724	1.594	50
T-75SC	3/4"	2.303	5.512	1.862	50
T-100SC	1"	2.681	6.457	2.126	25
T-125SC	1-1/4"	3.520	8.346	2.736	10
T-150SC	1-1/2"	3.520	8.346	2.736	10
T-200SC	2"	4.099	10.236	3.654	10

